



PERFORMANCE

Lamp	Number	1
	Watts	1000W
Input Volts		347V
Input Current		3.07A
Input Power		1040W
Min Power Factor		0.99
THD		<10%
Crest Factor		<1.7

PHYSICAL

Case Length	647mm	25.47
Case Width	236mm	9.29
Height	160mm	6.29
Weight	5.3kg	11.68 lb

DIMMING TYPE

Gear	600	750	825	1000	1150	EXT
------	-----	-----	-----	------	------	-----

• External control: 0-10V Master Controller •

PROTECTIONS

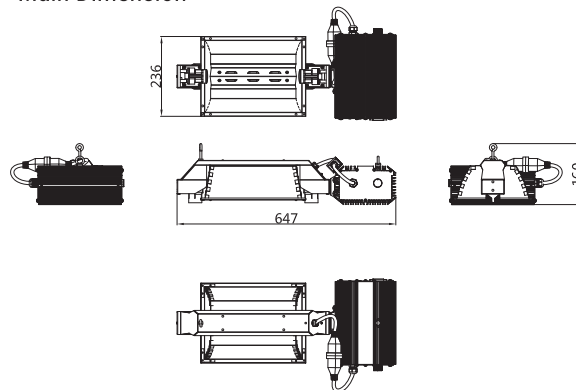
1. End of Lamp Life (EOL) Protection.
2. Short circuit protection.
3. Open circuit protection.
4. Ignition failure protection.

INSTALLATION & APPLICATION NOTES

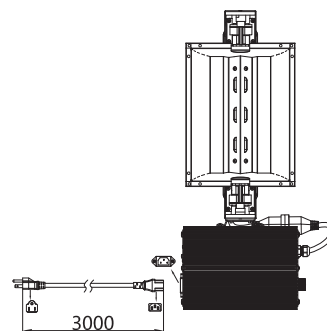
1. Max. allowable case temperature: 75°C/167°F.
2. Ambient temperature: -20 ~ +40°C/-4 ~ 104°F.
3. Ignition voltage is 5kV.
4. Max humidity: 95%.
5. Power must be cycled off, then on after replacing the lamp.
6. Remote mounting: 5m/16ft.

SPECIFICATIONS

Main Dimension



Wiring Diagram



Ballast case must be grounded

Tcase max=75°C/167°F

